

# Marine generator set Pontoon Boat™ Series 3.6/4.6 QG Model MKY



## Cummins Onan

Performance you rely on.™



### Features and benefits

- Rugged dependability and high quality features make Cummins Onan Marine Generators a leading name in the marine industry. Reliable Cummins Onan Marine Generator sets have more standard features than any other marine generator set available.
- Cummins Onan Marine Generators lead the way in innovation, with a sophisticated design and development process that applies technology to noise attenuation, vibration isolation and emissions. These technologies provide quiet, smooth running and clean generator sets for your boating pleasure. Cummins Onan Marine Generator sets are emissions certified per applicable regulations including CARB and EPA.
- The Cummins Onan Marine Generators designed and manufactured high efficiency alternator delivers the power you need with excellent load response and AC output characteristics. This alternator is protected with corrosion-resistant resins for salt water environments.
- Cummins Onan Marine Generator sets are designed for compliance with U.S. Coast Guard regulations and ABYC voluntary standards, developed to increase your boating enjoyment.
- Cummins Onan Marine Generator sets are produced by Cummins Power Generation, a subsidiary of Cummins Inc. Cummins Onan Marine Generator sets are supported by the largest worldwide certified distributor/dealer network in the industry. Our extensive warranty coverage provides owner peace of mind.
- Cummins Onan Marine Generator sets are complemented by a full line of accessories, making it easy to customize a generator set to suit your application. Cummins Onan Marine Generator sets are easy to install, operate and maintain, plus they are small in size.
- More than 70 years of marine experience, gained by supplying generator sets to the U.S. Coast Guard, Navy, recreational boaters and some of the finest yacht builders in the world, stand behind every Cummins Onan Marine Generator set.

### Models and ratings

Model	kW/kVA	Voltage	Amps	Phase	Hz	Engine RPM
<b>3.6MKY</b>	3.6/3.6	230	15.7	1	50	3000
<b>4.0MKY</b>	4.0/4.0	120	33.3	1	60	3600

- 3.6 MKY: 230 voltage adjustable to 220-240 V; reconnectable to 110/220, 115/230 or 120/240 V.
- Rating conditions are 99.3 kPa (29.4 in Hg) barometric pressure, 30% relative humidity, 29.4° C (85° F).

### Sound level, weight, and size

#### Sound level

#### 50 Hz configuration

65 dB(A)\*

#### 60 Hz configuration

70 dB(A)\*

#### Dimensions

#### Weight (dry)

83.4 kg (174 lb)

#### Length

762 mm (30 in)

#### Width

500.4 mm (19.7 in)

#### Height

351.1 mm (13.9 in)

\* Half load at 1 m, before installation

---

## Standard features

- 50 Hz only: reconnectable and adjustable to other output ratings
- Microprocessor control with digital AC voltage regulator plus: start/stop rocker switch with status indicating lamp; built-in self diagnostics; automatic resetting fused DC circuits
- Shutdown protection - over/under frequency; over/under AC voltage; loss of AC sense; mechanical fault - air or fuel filters; high battery voltage; starter fault; excessive field current
- Fuel system priming capability in the stop position
- Single phase AC alternator
- 12 V DC electric system, negative ground
- Automotive type starter environmentally protected pinion with automatic start disconnect
- Stationary exhaust pipe attachment point
- Automatic choke
- Electronic magento ignition
- High stability mechanical governor
- Automatic carburetor air preheater
- Cross flow pressure cooling
- AC mainline magnetic circuit breaker
- Intake silencer, sound deadening material and baffles used to reduce sound level
- Oil drain hose extension and valve
- Fuel filter
- 4-point mounting system with vibration isolator mounts
- Bulk head type connections for ease of installation
- Integral enclosure cover with sheet steel base
- Plug-in watertight connector for optional remote control
- USDA Forest Service-approved, spark arresting muffler
- Electric fuel pump with positive fuel safety shutoff (gasoline)
- 3.2 m (128 in) generator set output leads
- Reverse connections and high battery voltage protection
- Factory load tested
- Two year limited warranty

---

## Engine details

**Design:** 4-cycle, OHV single horizontal cylinder

**Bore:** 79 mm (3.11 in)

**Stroke:** 62 mm (2.44 in)

**Displacement:** 304 cm<sup>3</sup> (18.5 in<sup>3</sup>)

**Compression ratio:** 8.5:1

**Max fuel lift:** 0.9 m (3 ft)

**Lube oil capacity:** 1.5 L (1.6 qt)

**Cooling air volume:**

50 Hz: 7.1 m<sup>3</sup>/min (250 ft<sup>3</sup>/min)

60 Hz: 8.5 m<sup>3</sup>/min (300 ft<sup>3</sup>/min)

**Combustion air volume:**

50 Hz: 0.45 m<sup>3</sup> (16 ft<sup>3</sup>)

60 Hz: 0.5 m<sup>3</sup> (19 ft<sup>3</sup>)

**Starting system:** 12 V

**Power (max):** SAEJ1349

50 Hz at 3000 RPM 6.2 kW (8.3 hp)

60 Hz at 3600 RPM 7 kW (9.5 hp)

**Carburetor:** Side draft, replaceable dry element air cleaner

**Choke:** Patented automatic choke

**Lubrication:** Splash

## Typical fuel consumption

**Gasoline, L/hr (Gal/hr)**

**3.6 MKY-50 Hz**

**4.0 MKY-60 Hz**

No load

0.8 (0.20)

1.1 (0.29)

1/4 load

1.1 (0.29)

1.5 (0.4)

1/2 load

1.4 (0.37)

1.8 (0.48)

3/4 load

1.7 (0.45)

2.1 (0.55)

Full load

2.2 (0.58)

2.7 (0.71)

---

## Alternator details

**Design:** Cummins Onan revolving field, 2-pole self-excited; permanently aligned to engine by a tapered shaft; drip proof construction

**Bearing:** Double sealed pre-lubricated ball bearing

**Stator:** Cast aluminum stator housing for excellent heat transfer

**Cooling:** Direct drive centrifugal blower; air required (included in engine cooling air volume)

50 Hz: 2.1 m<sup>3</sup>/min (75 ft<sup>3</sup>/min)

60 Hz: 2.5 m<sup>3</sup>/min (90 ft<sup>3</sup>/min)

**Voltage regulator:** Microprocessor control with digital voltage regulator

**DC brushes:** Electrographic, long life

**Insulation system:** Class H per NEMA MG1-1 part 33.3.2 and BS 2757; insulating varnish conforms to MIL-1-24092

## Generator set performance

**Operating environment:** Generator sets are durability tested at maximum ambient: 49° C (120° F)

**Frequency regulation:** Less than +/- 5%

**Voltage regulation:** Less than +/-10%

# Basic dimensions

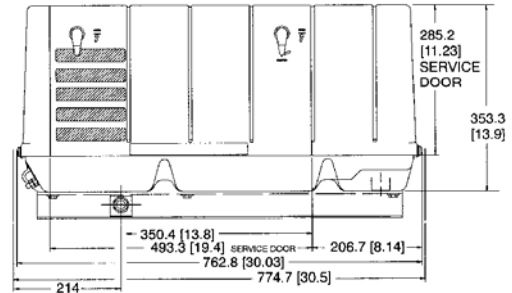
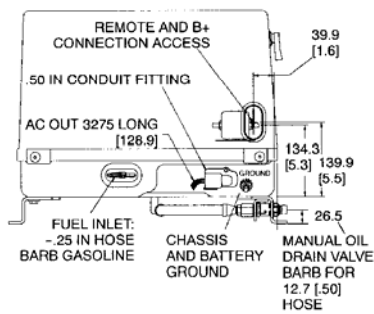
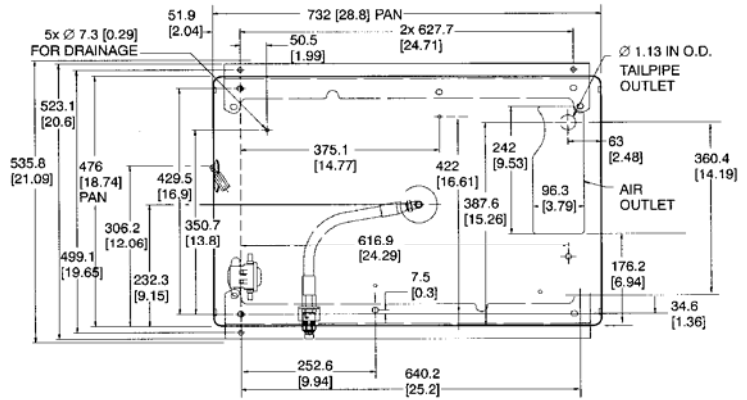
**NOTES:**

1. PRIMARY DIMENSIONS ARE IN MILLIMETERS
2. COMPARTMENT ACCESS SHALL ALLOW REMOVAL AND REPLACEMENT OF SERVICE DOOR AND ACCESS TO THE FOLLOWING SERVICEABLE COMPONENTS.

START-STOP SWITCH, FUSE, CIRCUIT BREAKER, OIL FILL AND CHECK, AIR CLEANER ELEMENT, IDLER STOP AND CHOKE ADJUSTMENTS, SPARK PLUG, VALVE COVER, START SOLENOID

3. MIN UNIT CLEARANCE FROM COMPARTMENT SURFACES:

TOP	12.5	.50	IN
ENGINE END	6.4	.25	IN
GEN END	6.4	.25	IN
SERVICE SIDE	6.4	.25	IN
BACKSIDE	6.4	.25	IN
MIN FREE AIR			
INLET	258CM <sup>2</sup>	40IN <sup>2</sup>	
UNIT WEIGHT WITH OIL	187	LB	



**Note:** This outline drawing is provided for general reference only and is not intended for design or installation. For more information see Operation and Installation manuals or obtain drawing 500-3298 and wiring diagram from your distributor/dealer.

## Options

- Wooden shipping sub-base in place of standard steel rails; requires customer supplied leveling/elevating platform
- Oil drain plug in engine oil pan instead of oil drain hose extension and valve

## Accessories

- Remote control panel including start-stop/prime switch with status indicator light
- Remote control panel including start-stop/prime switch with status indicator light and hour meter
- Remote control panel including start-stop/prime switch with status indicator light and DC voltmeter
- Remote control pigtail adapter
- Remote control plug and wire harness
- Exhaust tail pipe kit, tail pipe and special hanger
- Exhaust kit 1.5 in

---

## Standards and testing

National Marine Manufacturers Association (NMMA) members produce every conceivable product used by recreational boaters. NMMA provides a wide variety of programs and services including technical expertise, standards monitoring, government relations advocacy and industry statistics.

The American Boat and Yacht Council (ABYC) develops standards and recommended practices for designing, constructing, equipping and maintaining small pleasure and commercial craft.

This generator set was designed and manufactured in facilities certified to ISO 9001.



## Warranty policy

The Cummins Onan express, written limited warranty covers virtually everything except routine maintenance for the first two years you own your marine generator set.

**Warning:** Backfeed to a utility system can cause electrocution and/or property damage. Do not connect to any building electrical except through an approved device or after building main breaker is open.

## After sale support

### Largest distributor/dealer support network

Cummins Onan generator sets are supported by the largest and best trained worldwide certified distributor/dealer network in the industry. This network of knowledgeable Cummins Onan distributor/dealers will help you select and install the right generator set and accessories to meet the requirements of your specific application. This same network offers a complete selection of commonly used generator set maintenance parts, accessories and products plus manuals and specification sheets. Plus, they can answer your questions regarding proper operation, maintenance schedules and more.

**Manuals:** Operation and installation manuals ship with the generator set. To obtain additional copies or other manuals for this model, see your Cummins Onan distributor/dealer and request the following manual numbers: Operation (981-0160), Installation (981-0622), Parts (981-0266), Service (981-0531).

To easily locate the nearest Cummins Onan distributor/dealer in your area, or for more information, contact us at 1-800-888-6626 (or 763-574-5000), or visit [www.cumminsonan.com](http://www.cumminsonan.com).

---

## Contact your distributor/dealer for more information

# Cummins Onan

### Cummins Power Generation

1400 73rd Ave. NE  
Minneapolis, MN 55432 USA  
Phone 1 763 574 5000  
Toll-free 1 800 888 6626  
Fax 1 763 574 5298  
Email [www.cumminsonan.com/contact](http://www.cumminsonan.com/contact)  
[www.cumminsonan.com](http://www.cumminsonan.com)

