

Cummins Onan Portable Generator



Performance you rely on.™

P5350

This rugged 5 kW rated power portable gasoline genset delivers reliable power anywhere for emergency or residential standby power, maintenance crews and light commercial applications.



longer run time



better efficiency



more power



higher value



There is a Cummins Onan portable generator to meet your needs whether you are protecting your home and family from a blackout or need power while on the job site or while camping.

A portable generator can be used for more than one application.

- Basic backup power for your home during a power outage
- Power a heater for ice fishing
- Provide power where extension cords don't reach
- On camping trips to supply electricity when needed

Our Cummins Onan portable generators are designed to provide easy-to-use, safe and reliable portable power for when you need it most.

Cummins Onan

Portable Generator


P5350

Features and Benefits

- Gasoline powered open frame generator set
- 5000 watts running, 5300 watts peak
- 11.1 hours of continuous operation at 1/2 load
- Manual start
- 13 HP, 4-stroke OHV engine
- Large 6.5 gallon fuel tank
- Versatile 120 V, 20 A GFCI protected duplex, 120 V, 20 A DUPLEX and grounded 120/240 V, NEMA L14-30 receptacles
- Automatic "low-oil shutdown"
- Heavy-duty cast iron cylinder sleeve
- Circuit breaker protection
- Dual element air cleaner
- Full perimeter safety frame
- 2 year limited warranty for residential application
- Standard wheel kit

Weight, size and sound level	
Weight (without wheel kit)	181 lb (82.1 kg)
Size (without wheel kit)	Length 26.6 in (675 mm) Width 21.2 in (540 mm) Height 21.3 in (542 mm)
Sound	Readings at 7 m: 76 dB(A)
Models and ratings	
AC rated output	5 kW
AC max output	5.3 kW
AC Voltage	120 V/240 V
AC frequency	60Hz
120 V AC rated amperage - rated/max	41.6 A/44.2 A
240 V AC rated amperage - rated/max	20.8 A/22.1 A
Engine displacement	389 cc
Engine horsepower	13
Fuel tank capacity	6.5 Gal/25 L
Oil capacity	1.2 Qts/1.1 L

Ratings apply to altitudes up to 1000 ft (304.8 m), 85°F (30°C). Total power available will decrease 3.5% for each 1000 ft (304.8 m) above 1000 ft and 2.0% for each 10°F (5.5°C) increase in ambient temperature above 85°F (30°C).



ON

OFF

Engine stops when oil level is low.

BEFORE OPERATING:

- Read labels and owners manual for detailed warnings and instructions.
- Place unit outdoors in dry location on level ground.
- Check oil level and fuel level.
- Do recommended maintenance.
- Connect electrical ground.
- Disconnect electrical loads.

TO OPERATE:

- Open fuel valve.
- Close choke to start (if engine is cold).
- Start engine.
- Open choke slowly to run.
- Test GFCI. Connect electrical loads.


AFTER OPERATING:

- Close fuel valve.
- Cool unit for 15 minutes and drain fuel before storing in a confined space or transporting.

Parts and Service:

- Contact authorized Cummins Onan distributor or dealer listed at www.cumminsonan.com.

GROUND

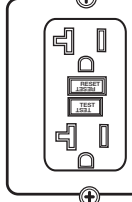


NEUTRAL BONDED TO FRAME

PEAK WATTS 5300

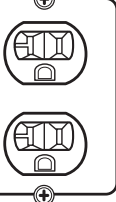
RATED WATTS 5000

AC BREAKER Push to Reset.



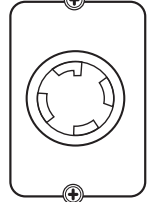
120V 20A GFCI

AC BREAKER Push to Reset.




120V 20A

AC BREAKER Push to Reset.



240V 30A



WARRANTY

The Cummins Onan Portable P5350 generator set comes with a standard 2 year limited warranty for residential use and a 1 year warranty for commercial use.

AFTER SALE SUPPORT

Cummins Onan generators are backed by a network of trained, tested and certified Cummins Onan dealers who offer genuine parts and superior service. For customer service, call 1-800-344-0039. To locate the Cummins Onan dealer nearest you, visit www.cumminsonan.com/locator.

Cummins Onan

Cummins Power Generation
1400 73rd Ave. NE
Minneapolis, MN 55432 USA
Toll-free 1 800 344-0039
Fax 1 763 574 5298
Email www.cumminsonan.com/contact
www.cumminsonan.com

Cummins®, Onan®, the "C" logo and Performance you rely on™ are servicemarks, trademarks and/or registered trademarks of Cummins Inc. Specifications subject to change without notice. ©2009 Cummins Power Generation. All Rights Reserved.



9284SA061709TW
A-1542